



MPO/MTP Module fanout Fiber Patch Cord

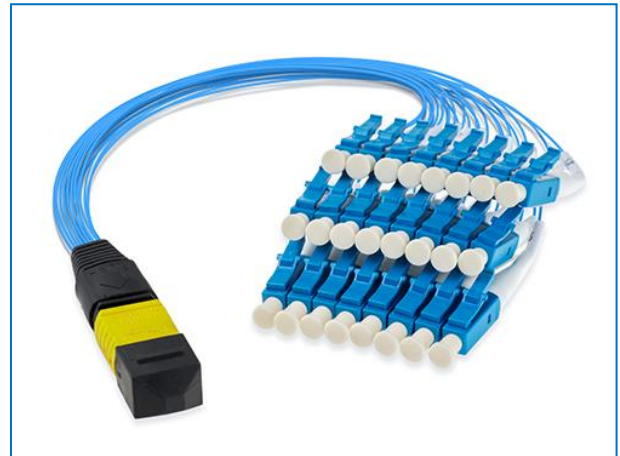
MPO/MTP Module fanout Fiber Patch Cord

Description

MPO/MTP to LC Internal Fan Out Cable interface multifibre MPO/MTP with discrete single fiber (LC/SC mainly) connectors. Assemblies are typically used to directly interconnect MTP/MPO cassettes, panels or backbone trunk assemblies with the active equipment ports, saving costly data centre rack space and easing fibre management. Replacing traditional MTP/MPO module Fan-Out Assemblies reduce amount of interconnection improving power budget cost

Feature

- 8-12 core fiber available
- Cross Connection : AB/BA
- Paralled Connection : AB/AB
- Small volume, easy management
- Insertion Loss : Low IL & Standard IL available
- Can customize connection method as QSFP requirements



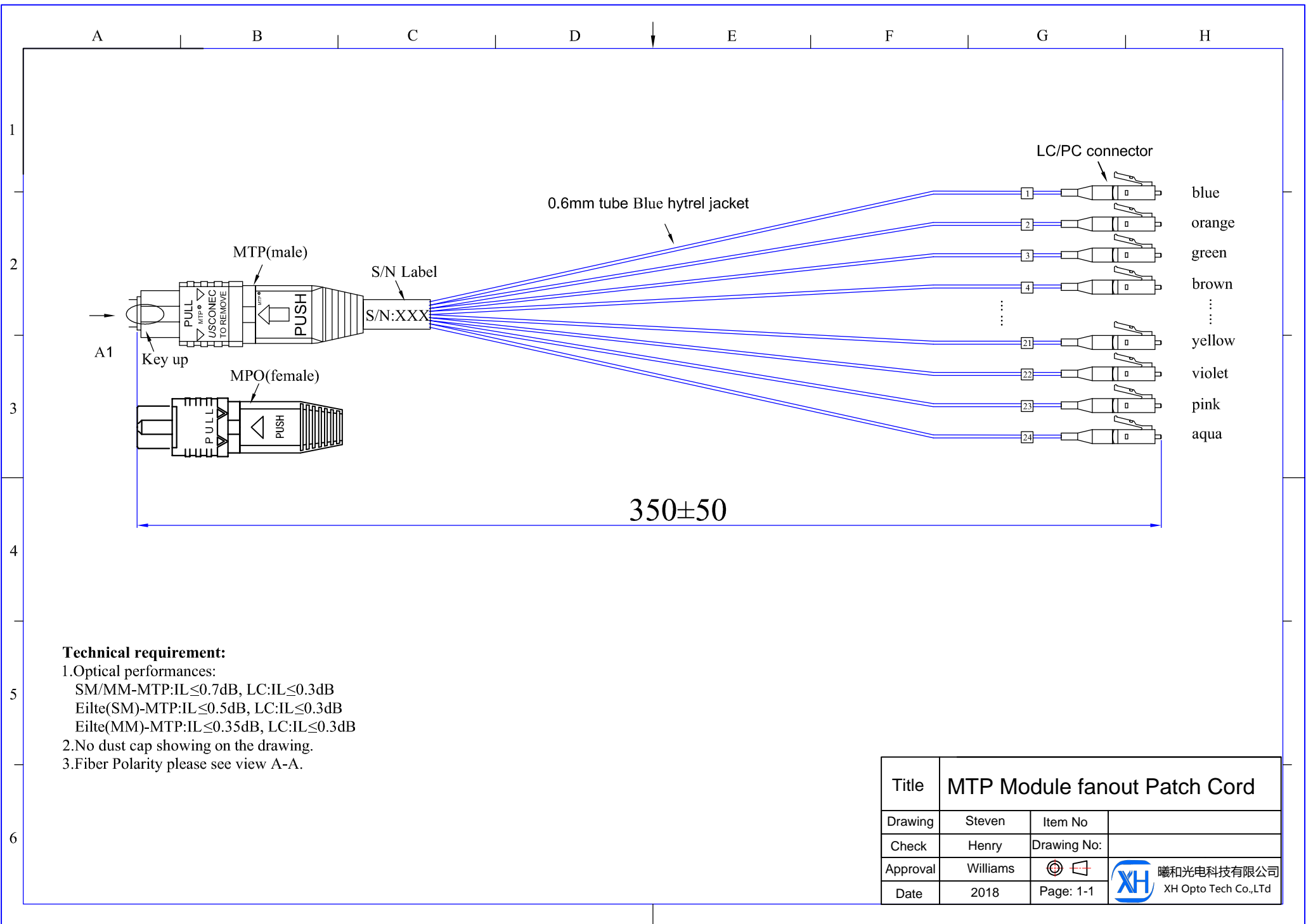
MPO/MTP Module fanout Fiber Patch Cord

Application

- Data Center Networks
- 10G/ 40G/ 100G Networks
- Parallel interconnection
- Miniature modules
- Active Optical Cable


Specification:

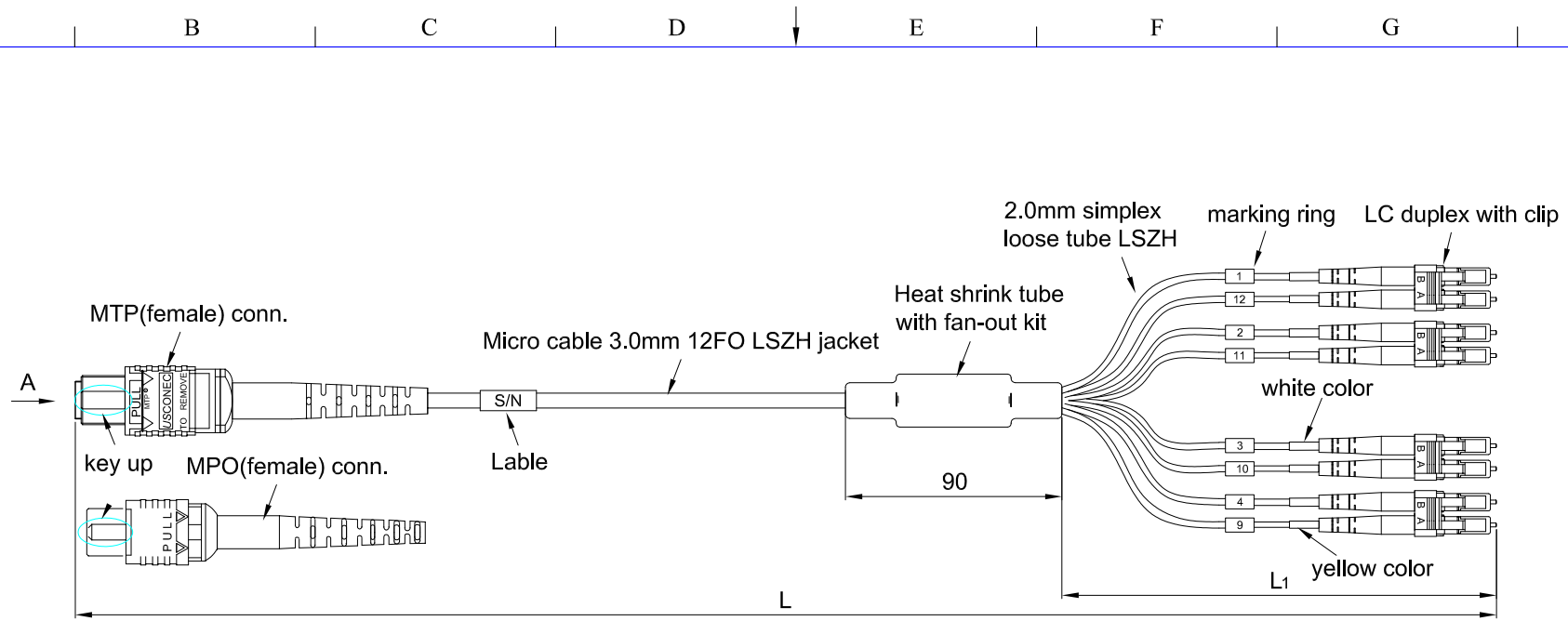
Items	SC/LC			MTP/MPO(Std)		MTP/MPO(Elite)		
	SM	MM		SM	MM	SM	MM	
Insertion Loss	UPC	APC	PC	12F,24F	12F,24F	12F	24F	12F,24F
	≤0.3dB			≤0.7dB		≤0.35dB	≤0.5dB	≤0.35dB
Return Loss	≥50dB	≥60dB	≥30dB	≥55dB	≥20dB	≥55dB		≥20dB
Durability	500times							
Operation temperature	-25°C ~ +70°C							
Fiber Type	OS2/OM1/OM2/OM3/OM4							



Technical requirement:

- 1. Optical performances:
 SM/MM-MTP: IL ≤ 0.7dB, LC: IL ≤ 0.3dB
 Eilte(SM)-MTP: IL ≤ 0.5dB, LC: IL ≤ 0.3dB
 Eilte(MM)-MTP: IL ≤ 0.35dB, LC: IL ≤ 0.3dB
- 2. No dust cap showing on the drawing.
- 3. Fiber Polarity please see view A-A.

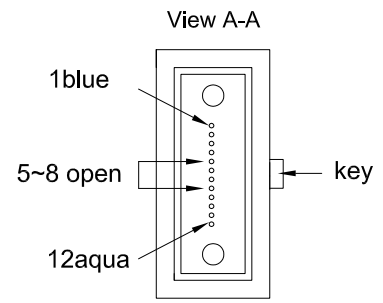
Title	MTP Module fanout Patch Cord		
Drawing	Steven	Item No	
Check	Henry	Drawing No:	
Approval	Williams	Ⓢ	 曦和光电科技有限公司 XH Opto Tech Co.,LTd
Date	2018	Page: 1-1	



Color of 12F bare fiber:
 blue / orange / green / brown / gray / white / red / black / yellow / purple / pink / aqua

Technical requirement:

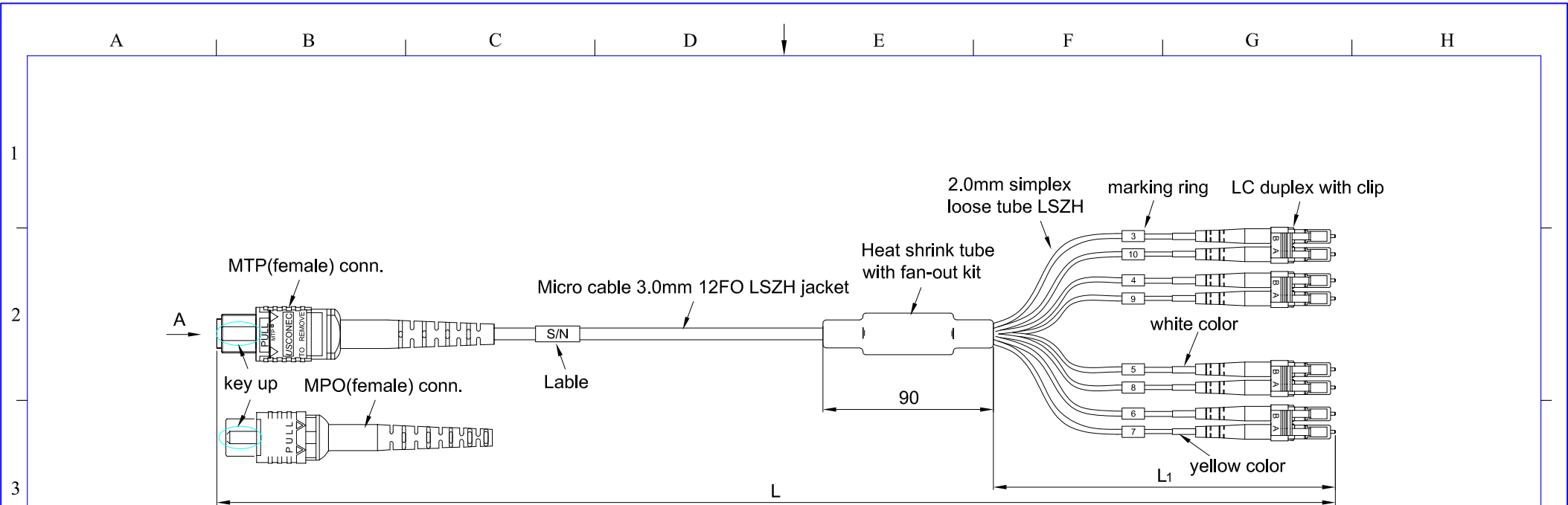
1. Optical performances:
 Low loss:
 MTP/MPO: IL ≤ 0.35dB, LC: IL ≤ 0.3dB.
 Standard loss:
 MTP/MPO: IL ≤ 0.7dB, LC: IL ≤ 0.3dB.
2. Marking ring 1/12, 2/11, 3/10, 4/9, 5/8, 6/7 with one duplex clip.
3. Fiber Polarity please see view A-A.
4. The dimensions according to customer's requirements.
5. No dust cap showing on the drawing.



Note: number 1~12 just represent the channel of ferrule.

MTP/MPO fiber	fiber color	LC channel
1	blue	1
2	orange	2
3	green	3
4	brown	4
5~8	open	5~8
9	yellow	9
10	purple	10
11	pink	11
12	aqua	12

Title			
MTP/MPO-LC 3.0mm 8FO fan-out 2.0mm			
Drawing	Steven	Item No	
Check	Henry	Drawing No:	
Approval	Williams		曦和光电科技有限公司 XH Opto Tech Co.,LTD
Date	2018	Page: 1-1	

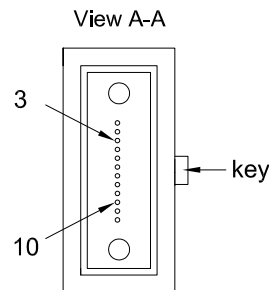


Color of 12F bare fiber:

blue / orange / green / brown / gray / white / red / black / yellow / purple / pink / aqua

Technical requirement:

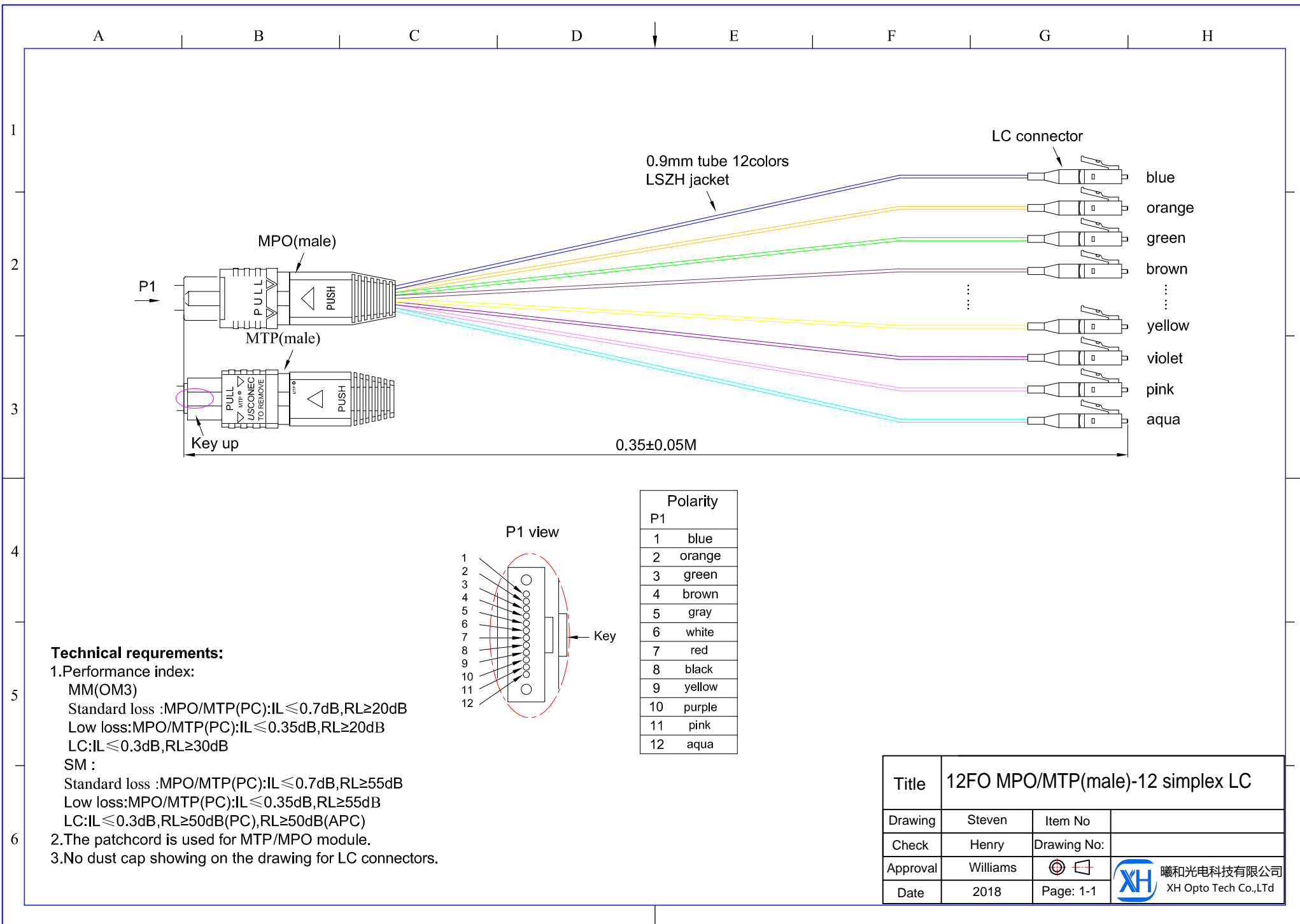
1. Optical performances:
 Low loss:
 MTP/MPO: IL ≤ 0.35dB, LC: IL ≤ 0.3dB.
 Standard loss:
 MTP/MPO: IL ≤ 0.7dB, LC: IL ≤ 0.3dB.
2. Marking ring 1/12, 2/11, 3/10, 4/9, 5/8, 6/7 with one duplex clip.
3. Fiber Polarity please see view A-A.
4. The dimensions according to customer's requirements.
5. No dust cap showing on the drawing.

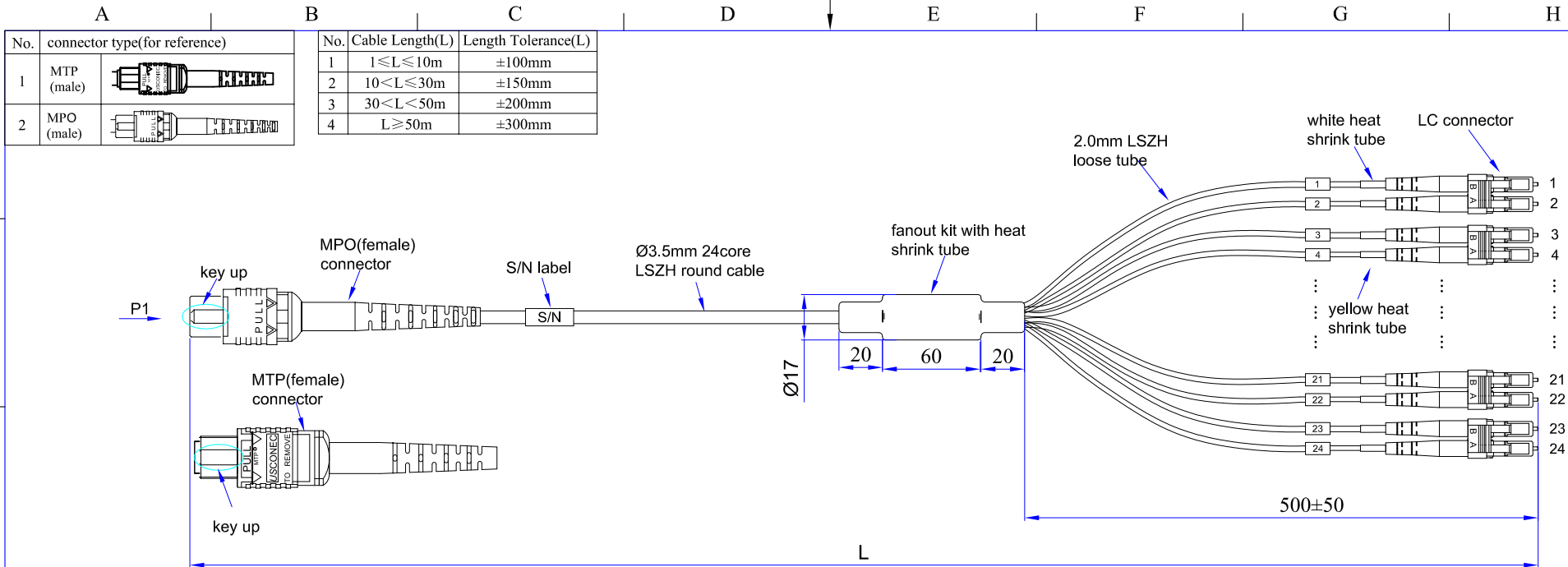


MTP/MPO fiber	fiber color	LC channel
1~2	open	/
3	blue	3
4	orange	4
5	green	5
6	brown	6
7	gray	7
8	white	8
9	red	9
10	black	10
11~12	open	/

Note: number 3~10 just represent the channel of ferrule.

Title			
MTP/MPO-LC 3.0mm 8FO fan-out 2.0mm			
Drawing	Steven	Item No	
Check	Henry	Drawing No:	
Approval	Williams		曦和光电科技有限公司 XH Opto Tech Co., Ltd
Date	2018	Page: 1-1	



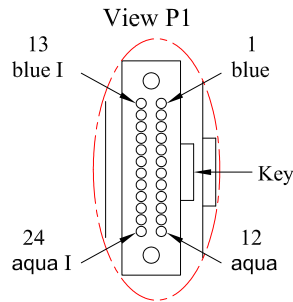


No.	connector type(for reference)
1	MTP (male)
2	MPO (male)

No.	Cable Length(L)	Length Tolerance(L)
1	$1 \leq L \leq 10\text{m}$	$\pm 100\text{mm}$
2	$10 < L \leq 30\text{m}$	$\pm 150\text{mm}$
3	$30 < L < 50\text{m}$	$\pm 200\text{mm}$
4	$L \geq 50\text{m}$	$\pm 300\text{mm}$

WIRING		WIRING	
P1	LC	P1	LC
1 blue	1	13 blue I	13
2 orange	2	14 orange I	14
3 green	3	15 green I	15
4 brown	4	16 brown I	16
5 gray	5	17 gray I	17
6 white	6	18 white I	18
7 red	7	19 red I	19
8 black	8	20 black I	20
9 yellow	9	21 yellow I	21
10 purple	10	22 purple I	22
11 pink	11	23 pink I	23
12 aqua	12	24 aqua I	24

LC marking ring



Note: number 1~24 just represent the channel of ferrule.

Technical requirement:

1.Optical performances:

Low loss(SM):

MTP/MPO: $IL \leq 0.5\text{dB}$, LC: $IL \leq 0.3\text{dB}$.

Low loss(MM):

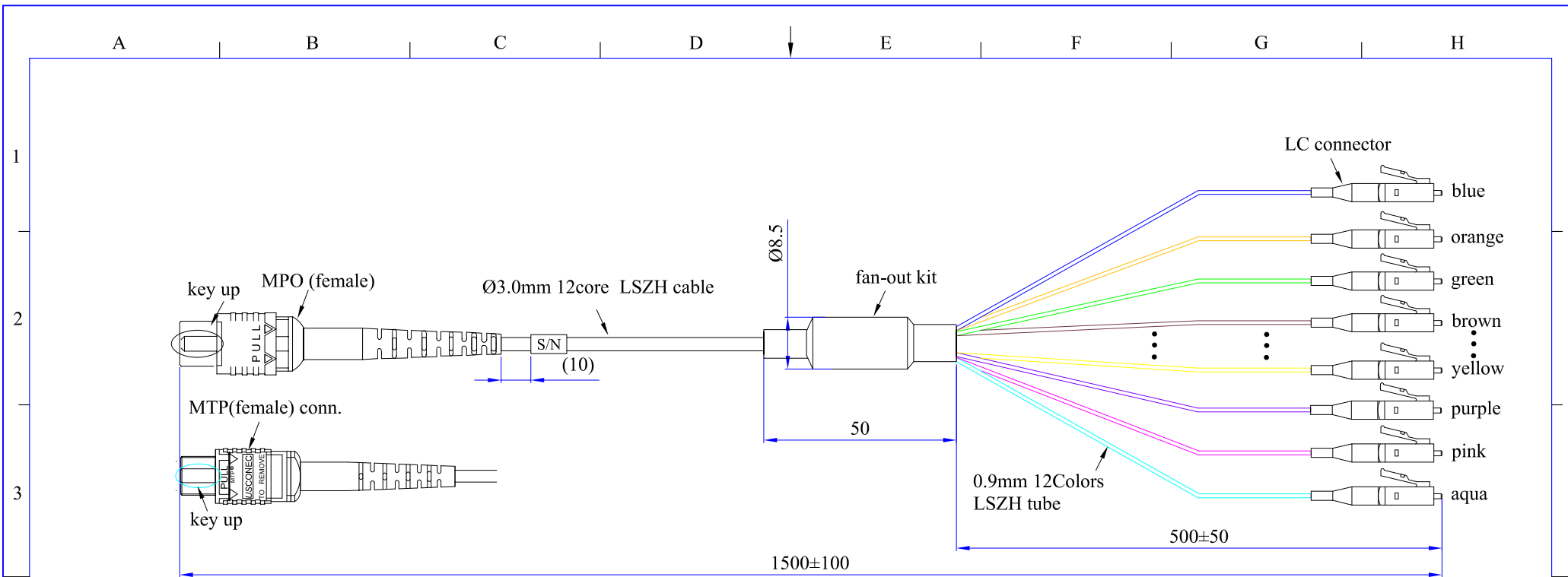
MTP/MPO: $IL \leq 0.35\text{dB}$, LC: $IL \leq 0.3\text{dB}$.

Standard loss(SM/MM):

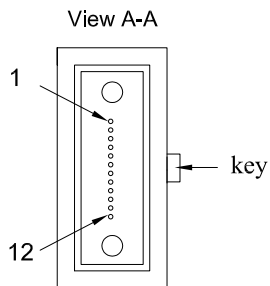
MTP/MPO: $IL \leq 0.7\text{dB}$, LC: $IL \leq 0.3\text{dB}$.

2.No dust cap showing on the drawing.

Title		MTP/MPO-LC 24F	
Drawing	Steven	Item No	
Check	Henry	Drawing No:	
Approval	Williams		
Date	2018	Page: 1-1	曦和光电科技有限公司 XH Opto Tech Co.,Ltd



MPO fiber	fiber color	LC channel
1	blue	1
2	orange	2
3	green	3
4	brown	4
5	grey	5
6	white	6
7	red	7
8	black	8
9	yellow	9
10	violet	10
11	pink	11
12	aqua	12



Note: number 1~12 just represent the channel of ferrule.

Technical requirement:

1. Optical performances:

Low loss:

MTP/MPO:IL≤0.35dB, LC:IL≤0.3dB.


Standard loss:

MTP/MPO:IL≤0.7dB, LC:IL≤0.3dB.

2. Fiber Polarity please see view A-A.

3. The dimensions according to customer's requirements.

4. No dust cap showing on the drawing.

Title 12F MPO/MTP female-LC fan-out kit with 0.9mm tube			
Drawing	Steven	Item No	
Check	Henry	Drawing No:	
Approval	Williams	Ⓢ	 曦和光电科技有限公司 XH Opto Tech Co.,Ltd
Date	2018	Page: 1-1	